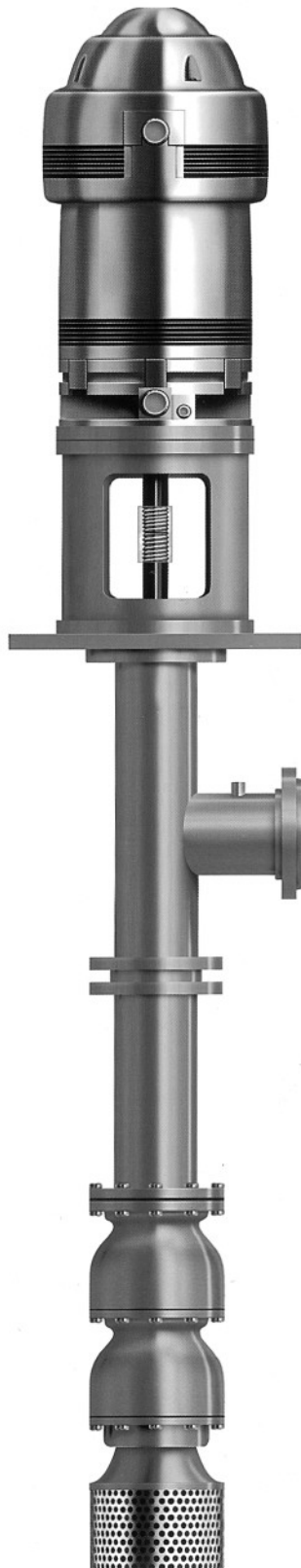
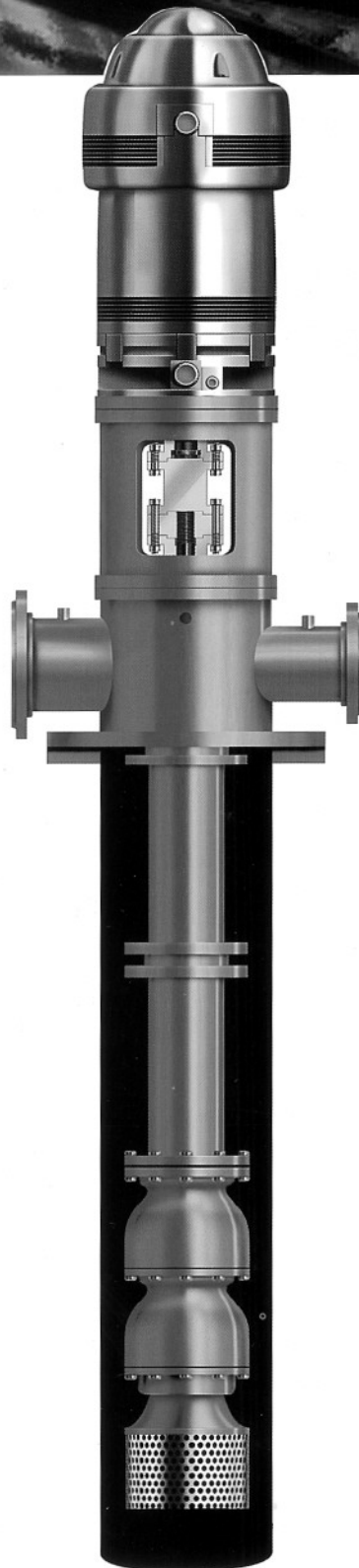


Type "F"
Head



Type "U"
Discharge Located
Underground



Type "T"
Suction Inlet Located
in the Head



Type "L"
(Can) Suction Inlet
Located in the Can